

EliteShower Control Model: EDVC-100

**IMPORTANT:** This control will ONLY function with the EliteShower Model# EDV-2, two Outlet, electronic shower valve.

**Note:** The EDV-2 is a two Outlet, electronic shower valve that is factory set for one outlet usage. If you intend to use both outlets, remove the brass cap from the second outlet and program the control setting for two outlets. See programming instructions on page 3 to change this setting.

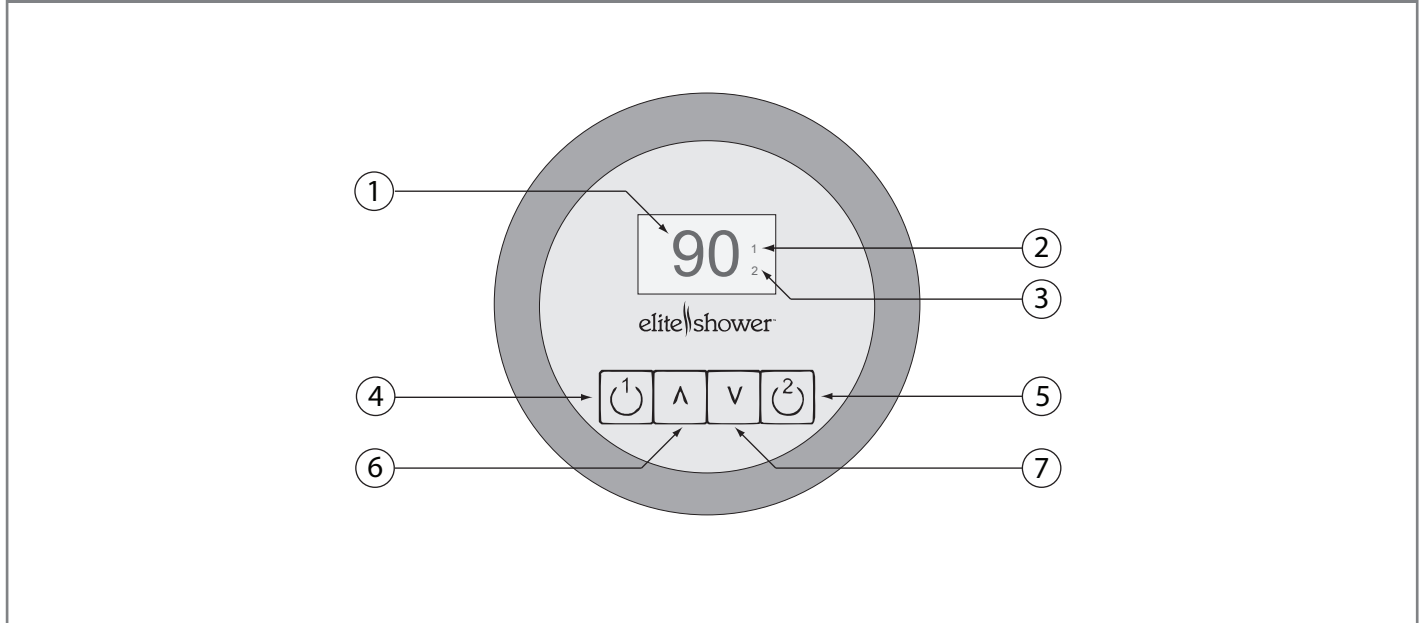
### Control Features

1. **Display:** The digital readout displays the water temperature, set point temperature, system status and diagnostic error codes.
2. **Display 1 Icon:** Illuminated for User 1 / Outlet 1.
3. **Display 2 Icon:** Illuminated for User 2 / Outlet 2.
4. **Function 1 button:** Starts/Stops User 1 / Outlet 1.
5. **Function 2 button:** Starts/Stops User 2 / Outlet 2.
6. **Up button:** Pressing this button raises the water temperature .
7. **Down button:** Pressing this button lowers the water temperature.

**Note:** This control should be installed inside the shower for convenience to the bather but may also be installed outside the shower close to the entry and convenient to the bather.

**Cleaning Instructions:** Use a damp cloth and mild soap. Do NOT use abrasive cleaners which might scratch the surface or the base of the control.

### EDVC-100 Digital Shower Control



Installation Instructions

**1. Pre-Installation - Control Location**

- a) The EDVC-100 Control should be installed inside the shower for convenience to the bather but may also be installed outside the shower close to the entry and convenient to the bather. For convenience, the recommended height from the floor is four feet. Provide a 1½" hole in the wall at this location (see Figure 1).

**IMPORTANT:** Multi-conductor cable must be installed so that the end will not be buried inside the wall. The Shower Valve will not operate unless the control is installed.

**2. Electrical Rough-in**

- a) Locate the multi-conductor cable. Carefully route the multi-conductor control cable from the Shower Valve to the EDVC-100 control (see Figure 1). Route multi-conductor cable through a ¾" conduit to protect the cable from damage and to facilitate replacement if necessary.

**3. Control and Cable Installation**

- a) Locate the previously installed cable. Remove the protective cap from the multi-conductor cable plug. Connect the cable to the modular jack at the Shower Valve (see Figure 3).
- b) Locate Telco Jack at female coupler, on back of the EDVC-100 control. Remove the protective covering labeled "Remove Before Installation". Remove protective cap from cable and plug into jack. Check that the orientation of the plug properly aligns with the jack. A snap will indicate the plug is installed correctly (see Figure 3).

**IMPORTANT:** Test the control for operation before continuing on to the next step.

- c) Peel adhesive liner from back of the control. Apply the control to the wall. Press firmly and hold for a few seconds.
- d) After the control is in place, apply silicone (supplied) around the control to form a watertight seal (see Figure 2).

**IMPORTANT:** The adhesive on the back of the EDVC-100 control will NOT seal this control. It is the responsibility of the installer to seal this control to the wall with the supplied silicone. Water damage to the control is not covered by the warranty.

Figure 1

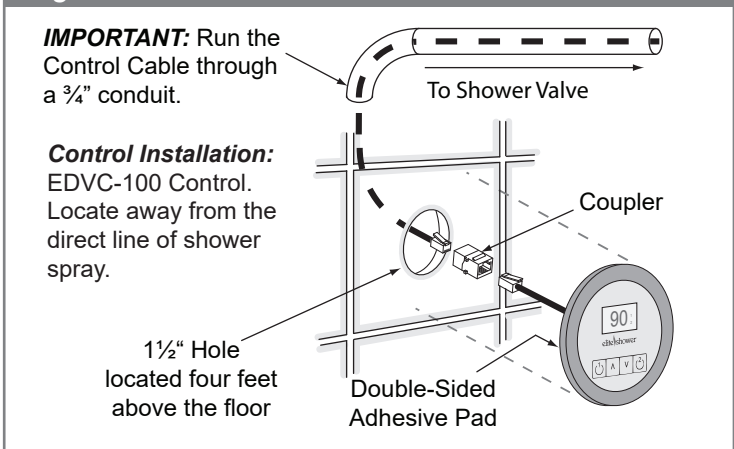


Figure 2

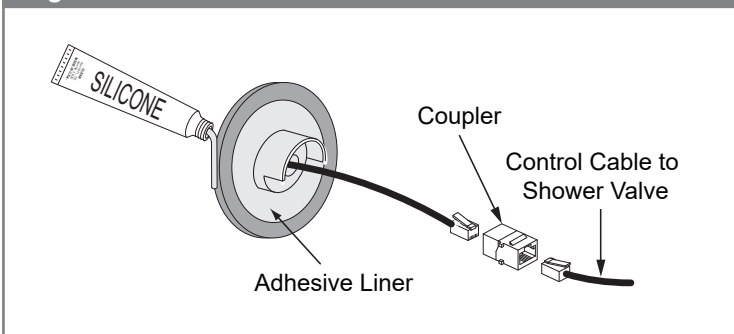
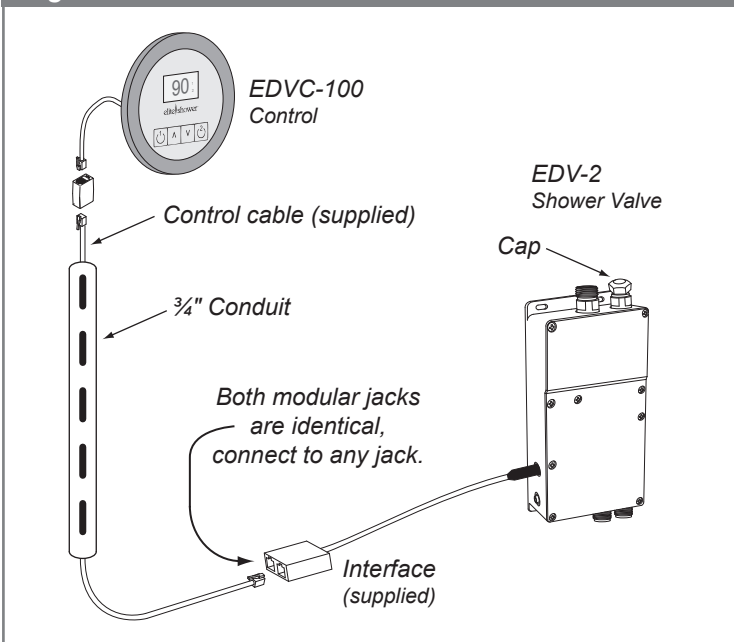


Figure 3 - Cable Installation



## Operating & Configuration Instructions

### 4. Outlet Settings:

**NOTE:** This control is factory set for a single shower outlet with two users. If you intend to use two shower outlets, change the setting in the Programming instructions (Section 6 c).

#### A. Single Outlet (Factory Default) Two User Setting

The Single Outlet, Two User setting is used when there is only one shower fixture connected to the EDV-2 Shower Valve. This allows for Two Shower Users and allows each User to have a different temperature setting. In this setting, the function buttons become User 1 and User 2.

#### B. Two Outlet Setting One User Setting

The Two Outlet, One User setting is used when there are two shower fixtures connected to the EDV-2 Shower Valve. This allows for One Shower User to have a single temperature setting. In this setting, the function buttons become Outlet 1 and Outlet 2.

**NOTE:** The Shower Valve will NOT function with only one water supply, both Cold and Hot water supplies are required.

**NOTE:** Make sure the Cold and Hot water supplies are turned on to the EDV-2 Digital Shower Valve and that it's plugged into a 120Volt outlet.

### 5A. Operation -Single Outlet (Factory Default) Two User:

- Select either the User 1 or User 2, to start a shower session by pressing Function 1 for User 1 or Function 2 User 2 button.
- During operation the display will display the actual water temperature for that User. To adjust water temperature, press either the Up or Down button.
- Press the same Function 1 (or Function 2) button to end the shower cycle.

### 5B. Operation -Two Outlet One User:

- Select either the Outlet 1 or Outlet 2, to start a shower session by pressing Function 1 for Outlet 1 or Function 2 Outlet 2 button.

- During operation the display will display the actual water temperature that will be shared by both Outlets. To adjust water temperature, press either the Up or Down button.
- Press the same Function 1 (or Function 2) button to end the shower cycle.

### 6. Programming:

- Adjustments can be made to temperature while a shower cycle is started. When the temperature is displayed, the set temperature can be viewed by momentarily pressing the Up or Down arrow button or changed by pressing the Up or Down arrow button again.
- Temperature adjustments made when Outlet 1 shower cycle is started will be saved and likewise for Outlet 2 (if used). All changes made to the temperature control are stored in memory until changed again. The temperature range is 50°F to 120°F (10°C to 52°C).
- To change the control from Single Outlet Two User (default, version .1) setting to Two Outlet One User setting (version .2 setting) and visa-versa. While the Control is in the off position, press and hold Function 1 button for two seconds, a version number will appear (.1 or .2), release the button and press the Function 2 button for a moment, then press either the Up or Down button to change between the two versions. Once the proper version is selected, wait 10 seconds for the selected version to be saved and stored, screen will go blank when this is complete.

### 7. Fahrenheit or Celsius setting:

- To change this setting, while the shower cycle is off, press and hold the Up arrow button for a few seconds until you see an "F" or "C" in the display. Use the Up or Down arrow button to change the displayed letter, to correspond to your temperature choice. After the adjustment has been made, wait a few seconds for the display to go off. Your last setting will be saved.

## Additional Features

### 8. Memory:

- The temperature set points for Outlet 1, Outlet 2 and temperature limit settings are retained even if there is a power failure.

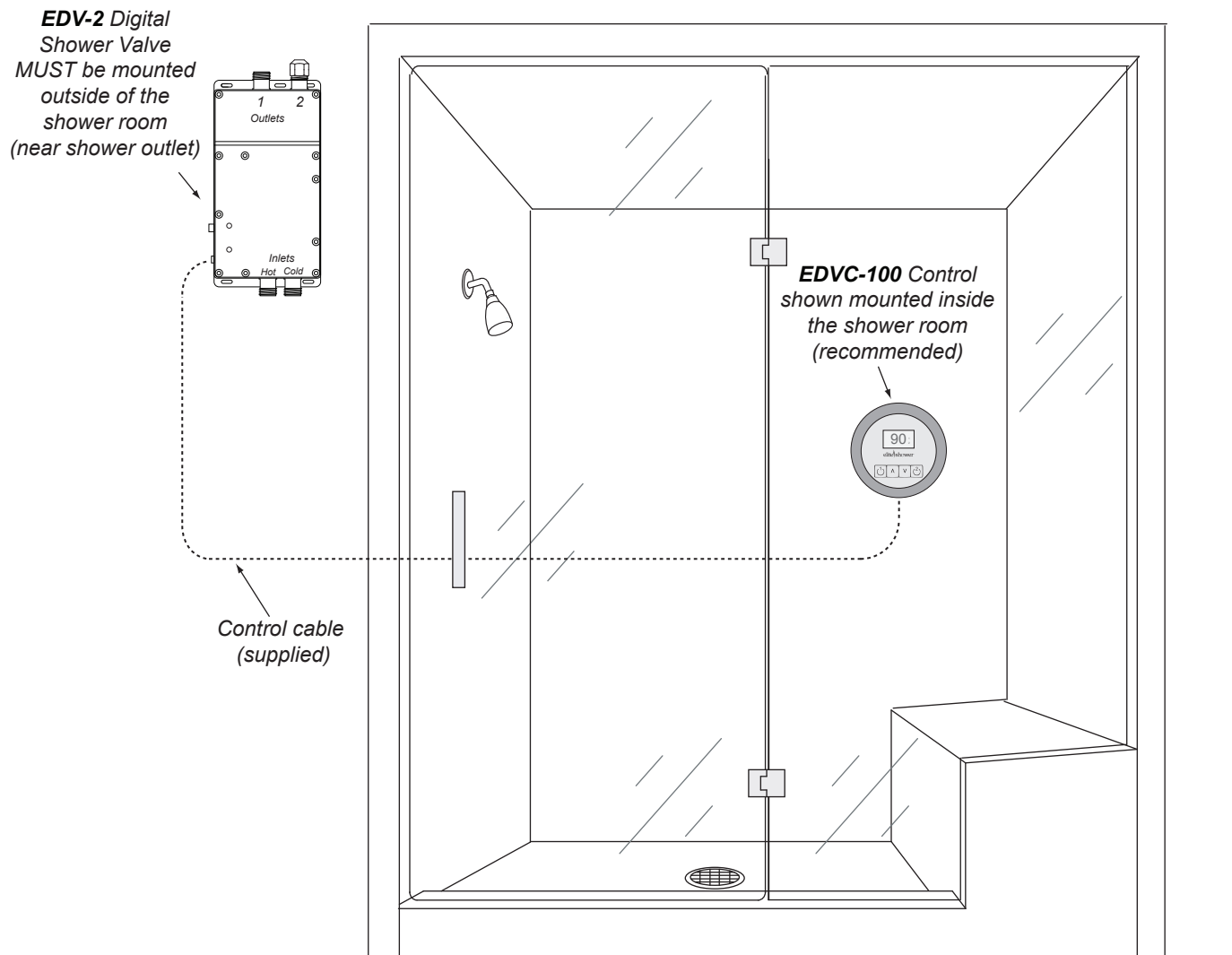
### 9. Service Modes:

- To check software version, while the Control is in the off position, press and hold Function 1 button for two seconds, a version number will appear (.1 or .2).
- To calibrate the max temperature limit setting: The Maximum temperature limit is factory set to 120°F (49°C). The Max Limit setting can be lowered to any temperature from 50°F to 120°F (10°C to 49°C). To adjust and set the Max set point temperature setting, while there is no display on the user control, press and hold the Down arrow button for about 10 to 15 seconds until a temperature is displayed. Press the Down or Up arrow button to change the setting, once done, allow about 10 seconds for the display to go off. This will save the new Max Temp setting.

### 10. Error Messages:

- This control is programmed with a diagnostic feature to help isolate any potential problems. Errors are displayed by flashing an "Er" followed by a two digit number.
- Error message "Er 03" means the control could not communicate with the digital shower valve which may be a cable connection problem. If this error occurs, check both ends of the control cable for clean, dry and secure connections. Dirty contacts may be cleaned with alcohol and a cotton swab or a toothbrush. This can also happen if the control is not sealed and the cable connections get wet.
- Error messages "Er 1x" (x = 0 thru 9) are internal to the digital shower valve. If any of these errors occur, unplug the shower valve from the 120 Volt outlet, wait about 30 seconds, then plug it back and try using the product. If the error does not clear, please contact EliteShower.

Figure 4 - Installation Suggestions



**All Instructions must be given to the homeowner for future use.**